



# SPARE PARTS EXPLODED VIEW BOILERS

Model

**BCH**

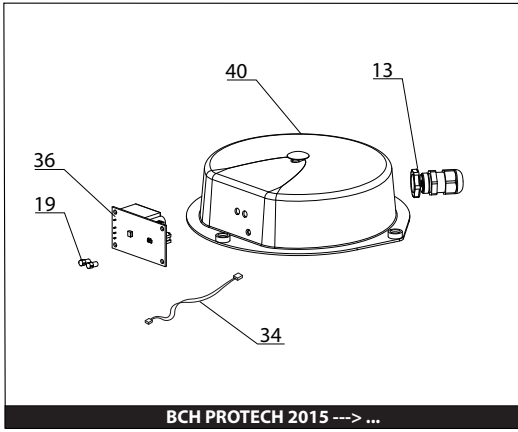
R8203455-02 - 21/12/2015

BCH

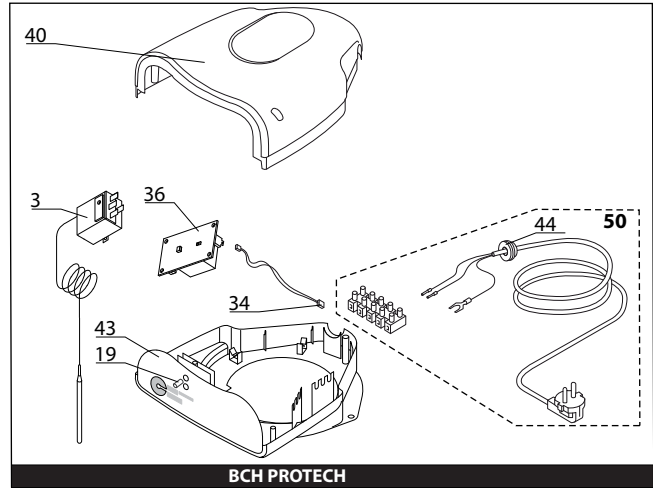
Boilers

|    |         |                                  |         |         |
|----|---------|----------------------------------|---------|---------|
| 1  | 3070227 | ARI BCH 80L PROTECH+MG           | 02-2010 | 10-2015 |
| 1  | 3070230 | CHX BCH 80L PROTECH+MG           | 02-2010 | 10-2015 |
| 1  | 3086003 | CHX KIT BCH 80 FLOOR             | 04-2010 | 10-2015 |
| 1  | 3070251 | FLE BCH 80 PROTECH+MG            | 02-2010 | 10-2015 |
| 1  | 3070233 | STY BCH 80L PROTECH+MG           | 02-2010 | 10-2015 |
| 2  | 3070228 | ARI BCH 120L PROTECH+MG          | 02-2010 | -       |
| 2  | 3070231 | CHX BCH 120L PROTECH+MG          | 02-2010 | 10-2015 |
| 2  | 3086004 | CHX KIT BCH 120 FLOOR            | 04-2010 | 10-2015 |
| 2  | 3070252 | FLE BCH 120 PROTECH+MG           | 02-2010 | 10-2015 |
| 2  | 3070234 | STY BCH 120L PROTECH+MG          | 02-2010 | 10-2015 |
| 3  | 3070229 | ARI BCH 160L PROTECH+MG          | 02-2010 | 09-2015 |
| 3  | 3070232 | CHX BCH 160L PROTECH+MG          | 02-2010 | 10-2015 |
| 3  | 3086005 | CHX KIT BCH 160 FLOOR            | 04-2010 | 10-2015 |
| 3  | 3070253 | FLE BCH 160 PROTECH+MG           | 02-2010 | 10-2015 |
| 3  | 3070235 | STY BCH 160L PROTECH+MG          | 02-2010 | 10-2015 |
| 4  | 3070270 | ARI BCH 200L PROTECH+MG          | 02-2010 | 10-2015 |
| 4  | 3070271 | CHX BCH 200L PROTECH+MG          | 02-2010 | 10-2015 |
| 4  | 3070254 | FLE BCH 200 PROTECH+MG           | 02-2010 | 10-2015 |
| 5  | 3070328 | ARI BCH_T 80L PROTECH+MG         | 11-2011 | 10-2015 |
| 5  | 3070346 | CHX BCH_T 80L PROTECH+MG         | 11-2011 | 10-2015 |
| 6  | 3070329 | ARI BCH_T120L PROTECH+MG         | 11-2011 | -       |
| 6  | 3070347 | CHX BCH_T120L PROTECH+MG         | 11-2011 | 10-2015 |
| 7  | 3070330 | ARI BCH_T 160L PROTECH+MG        | 11-2011 | 10-2015 |
| 7  | 3070348 | CHX BCH_T 160L PROTECH+MG        | 11-2011 | 10-2015 |
| 8  | 3070331 | ARI BCH_T 200L PROTECH+MG        | 11-2011 | 10-2015 |
| 8  | 3070349 | CHX BCH_T 200L PROTECH+MG        | 11-2011 | 10-2015 |
| 9  | 3070490 | BCH CD1 80 ARI - EU              | 07-2015 | -       |
| 9  | 3070493 | BCH CD1 80 CHX - EU              | 07-2015 | -       |
| 9  | 3070499 | BCH CD1 80 FLE - EU              |         |         |
| 9  | 3070496 | BCH CD1 80 STY - EU              |         |         |
| 9  | 3089005 | BCH CD1 80 CHX / KIT FLOOR - EU  |         |         |
| 10 | 3070491 | BCH CD1 120 ARI - EU             | 07-2015 | -       |
| 10 | 3070494 | BCH CD1 120 CHX - EU             | 07-2015 | -       |
| 10 | 3070500 | BCH CD1 120 FLE - EU             |         |         |
| 10 | 3070497 | BCH CD1 120 STY - EU             |         |         |
| 10 | 3089018 | BCH CD1 120 CHX / KIT FLOOR- EU  |         |         |
| 11 | 3070492 | BCH CD1 160 ARI - EU             | 07-2015 | -       |
| 11 | 3070495 | BCH CD1 160 CHX - EU             | 07-2015 | -       |
| 11 | 3070501 | BCH CD1 160 FLE - EU             |         |         |
| 11 | 3070498 | BCH CD1 160 STY - EU             |         |         |
| 11 | 3089019 | BCH CD1 160 CHX / KIT FLOOR - EU |         |         |
| 12 | 3070503 | BCH CD1 200 ARI - EU             | 07-2015 | -       |
| 12 | 3070504 | BCH CD1 200 CHX - EU             | 07-2015 | -       |
| 12 | 3070502 | BCH CD1 200 FLE - EU             |         |         |
| 13 | 3318335 | KIT BACD (FR) CHX                | 07-2007 | -       |

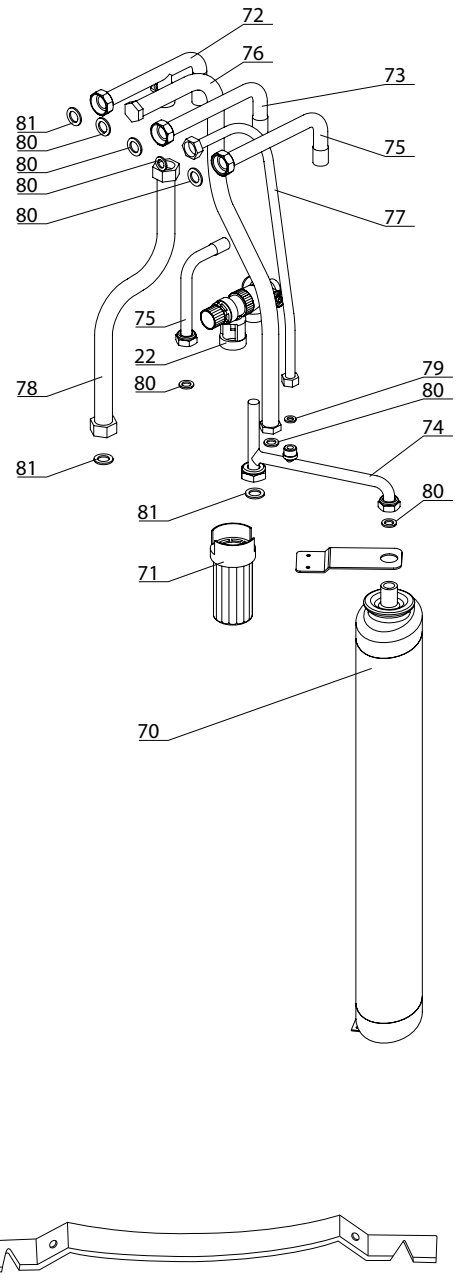
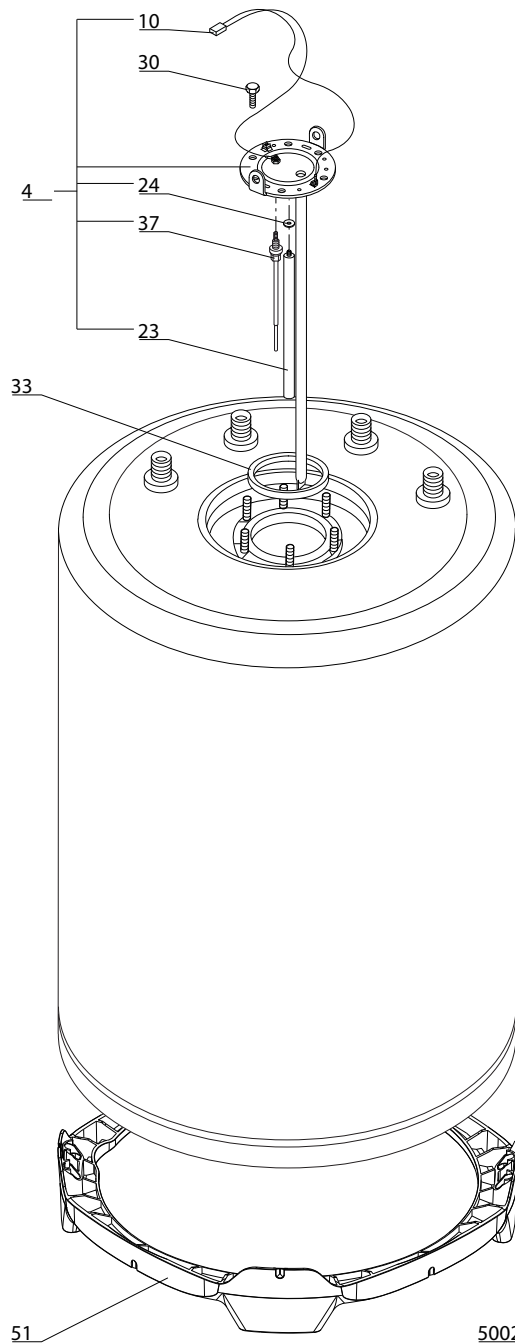
Col Reference Model type Begin End



BCH PROTECH 2015 ---> ...



BCH PROTECH



5002

| ☺           | Description                       | Manf. Pt. N | Type | <div style="display: flex; justify-content: space-around; text-align: center;"> <span>BCH 80</span> <span>BCH 120</span> <span>BCH 160</span> <span>BCH 200</span> <span>BCH T 80</span> <span>BCH T 120</span> <span>BCH T 160</span> <span>BCH T 200</span> <span>BCH 80 EU</span> <span>BCH 120 EU</span> <span>BCH 160 EU</span> <span>BCH 200 EU</span> <span>KIT CONNECTION</span> </div> |   |   |   |   |   |   |   |   |    |    |    |    |    | <div style="border: 1px solid black; padding: 2px;">31</div> |    |    |    |       |
|-------------|-----------------------------------|-------------|------|-------------------------------------------------------------------------------------------------------------------------------------------------------------------------------------------------------------------------------------------------------------------------------------------------------------------------------------------------------------------------------------------------|---|---|---|---|---|---|---|---|----|----|----|----|----|--------------------------------------------------------------|----|----|----|-------|
|             |                                   |             |      | 1                                                                                                                                                                                                                                                                                                                                                                                               | 2 | 3 | 4 | 5 | 6 | 7 | 8 | 9 | 10 | 11 | 12 | 13 | 14 | 15                                                           | 16 | 17 | 18 | From  |
| 0003        | THERMOSTAT                        | 921058      |      |                                                                                                                                                                                                                                                                                                                                                                                                 |   |   |   |   |   |   |   |   |    |    |    |    |    |                                                              |    |    |    |       |
| 0004        | FLANGE WITH ANODES                | 60001545    |      |                                                                                                                                                                                                                                                                                                                                                                                                 |   |   |   |   |   |   |   |   |    |    |    |    |    |                                                              |    |    |    |       |
|             | FLANGE WITH ANODES                | 60001546    |      |                                                                                                                                                                                                                                                                                                                                                                                                 |   |   |   |   |   |   |   |   |    |    |    |    |    |                                                              |    |    |    |       |
|             | FLANGE WITH ANODES                | 60001547    |      |                                                                                                                                                                                                                                                                                                                                                                                                 |   |   |   |   |   |   |   |   |    |    |    |    |    |                                                              |    |    |    |       |
|             | FLANGE WITH ANODES                | 60001828    |      |                                                                                                                                                                                                                                                                                                                                                                                                 |   |   |   |   |   |   |   |   |    |    |    |    |    |                                                              |    |    |    |       |
| 0010        | CABLE (ELECTRODE) > P.C.B.        | 60001108-01 |      |                                                                                                                                                                                                                                                                                                                                                                                                 |   |   |   |   |   |   |   |   |    |    |    |    |    |                                                              |    |    |    |       |
| 0013        | GLAND                             | 60002560    |      |                                                                                                                                                                                                                                                                                                                                                                                                 |   |   |   |   |   |   |   |   |    |    |    |    |    |                                                              |    |    |    |       |
| 0019        | LED (L=10.8)                      | 998576      |      |                                                                                                                                                                                                                                                                                                                                                                                                 |   |   |   |   |   |   |   |   |    |    |    |    |    |                                                              |    |    |    |       |
| 0022        | SAFETY VALVE (1/2» 7 BAR)         | 65105630    |      |                                                                                                                                                                                                                                                                                                                                                                                                 |   |   |   |   |   |   |   |   |    |    |    |    |    |                                                              |    |    |    |       |
| 0023        | ANODE D:21,3 L:110 M5-M8          | 65103768-01 |      |                                                                                                                                                                                                                                                                                                                                                                                                 |   |   |   |   |   |   |   |   |    |    |    |    |    |                                                              |    |    |    |       |
| 0024        | ANODE GASKET                      | 61306237    |      |                                                                                                                                                                                                                                                                                                                                                                                                 |   |   |   |   |   |   |   |   |    |    |    |    |    |                                                              |    |    |    |       |
| 0030        | SCREW M8X14 (6 PCES)              | 60000681    |      |                                                                                                                                                                                                                                                                                                                                                                                                 |   |   |   |   |   |   |   |   |    |    |    |    |    |                                                              |    |    |    |       |
| 0033        | FLANGE GASKET D:121.3-105-7.1     | 60071829    |      |                                                                                                                                                                                                                                                                                                                                                                                                 |   |   |   |   |   |   |   |   |    |    |    |    |    |                                                              |    |    |    |       |
| 0034        | CABLE (ELECTRODE) > P.C.B.        | 60000475    |      |                                                                                                                                                                                                                                                                                                                                                                                                 |   |   |   |   |   |   |   |   |    |    |    |    |    |                                                              |    |    |    |       |
| 0036        | P.C.B. (ANODE - PROTECH)          | 925348-01   |      |                                                                                                                                                                                                                                                                                                                                                                                                 |   |   |   |   |   |   |   |   |    |    |    |    |    |                                                              |    |    |    |       |
| 0037        | ANODE PROTECH EXT. L:260          | 60001111    |      |                                                                                                                                                                                                                                                                                                                                                                                                 |   |   |   |   |   |   |   |   |    |    |    |    |    |                                                              |    |    |    | 08/12 |
|             | ANODE PROTECH EXT. L:260          | 60002112    |      |                                                                                                                                                                                                                                                                                                                                                                                                 |   |   |   |   |   |   |   |   |    |    |    |    |    |                                                              |    |    |    |       |
|             | ANODE PROTECH EXT. L:260          | 60002112    |      |                                                                                                                                                                                                                                                                                                                                                                                                 |   |   |   |   |   |   |   |   |    |    |    |    |    |                                                              |    |    |    | 09/12 |
| 0040        | BOX COVER                         | 60000956    |      |                                                                                                                                                                                                                                                                                                                                                                                                 |   |   |   |   |   |   |   |   |    |    |    |    |    |                                                              |    |    |    |       |
|             | BOX COVER                         | 60002559    |      |                                                                                                                                                                                                                                                                                                                                                                                                 |   |   |   |   |   |   |   |   |    |    |    |    |    |                                                              |    |    |    |       |
| 0043        | BASE - BOX                        | 60000711    |      |                                                                                                                                                                                                                                                                                                                                                                                                 |   |   |   |   |   |   |   |   |    |    |    |    |    |                                                              |    |    |    |       |
| 0044        | RING NUT (CABLE HOLDER)           | 926044      |      |                                                                                                                                                                                                                                                                                                                                                                                                 |   |   |   |   |   |   |   |   |    |    |    |    |    |                                                              |    |    |    |       |
| 0050        | WIRING KIT                        | 935344      |      |                                                                                                                                                                                                                                                                                                                                                                                                 |   |   |   |   |   |   |   |   |    |    |    |    |    |                                                              |    |    |    |       |
| 0051        | SUPPORT D:505-560                 | 60000803    |      |                                                                                                                                                                                                                                                                                                                                                                                                 |   |   |   |   |   |   |   |   |    |    |    |    |    |                                                              |    |    |    |       |
| 0070        | EXPANSION VESSEL 4L               | 998122      |      |                                                                                                                                                                                                                                                                                                                                                                                                 |   |   |   |   |   |   |   |   |    |    |    |    |    |                                                              |    |    |    |       |
| 0071        | TRAP 1»                           | 65105284    |      |                                                                                                                                                                                                                                                                                                                                                                                                 |   |   |   |   |   |   |   |   |    |    |    |    |    |                                                              |    |    |    |       |
| 0072        | HEATING FLOW TUBE                 | 60001548    |      |                                                                                                                                                                                                                                                                                                                                                                                                 |   |   |   |   |   |   |   |   |    |    |    |    |    |                                                              |    |    |    |       |
| 0073        | GAS TUBE                          | 60001549    |      |                                                                                                                                                                                                                                                                                                                                                                                                 |   |   |   |   |   |   |   |   |    |    |    |    |    |                                                              |    |    |    |       |
| 0074        | PIPE (EXPANSION VESSEL)           | 60001550    |      |                                                                                                                                                                                                                                                                                                                                                                                                 |   |   |   |   |   |   |   |   |    |    |    |    |    |                                                              |    |    |    |       |
| 0075        | CONNECTING PIPE                   | 60001551    |      |                                                                                                                                                                                                                                                                                                                                                                                                 |   |   |   |   |   |   |   |   |    |    |    |    |    |                                                              |    |    |    |       |
| 0076        | FLEXIBLE PIPE                     | 60001552    |      |                                                                                                                                                                                                                                                                                                                                                                                                 |   |   |   |   |   |   |   |   |    |    |    |    |    |                                                              |    |    |    |       |
| 0077        | FLEXIBLE PIPE                     | 65105632    |      |                                                                                                                                                                                                                                                                                                                                                                                                 |   |   |   |   |   |   |   |   |    |    |    |    |    |                                                              |    |    |    |       |
| 0078        | FLEXIBLE PIPE                     | 12048341    |      |                                                                                                                                                                                                                                                                                                                                                                                                 |   |   |   |   |   |   |   |   |    |    |    |    |    |                                                              |    |    |    |       |
| 0079        | GASKET 3/8»                       | 573521      |      |                                                                                                                                                                                                                                                                                                                                                                                                 |   |   |   |   |   |   |   |   |    |    |    |    |    |                                                              |    |    |    |       |
| 0080        | GASKET 1/2»                       | 573528      |      |                                                                                                                                                                                                                                                                                                                                                                                                 |   |   |   |   |   |   |   |   |    |    |    |    |    |                                                              |    |    |    |       |
| 0081        | GASKET 3/4»                       | 573520      |      |                                                                                                                                                                                                                                                                                                                                                                                                 |   |   |   |   |   |   |   |   |    |    |    |    |    |                                                              |    |    |    |       |
| <b>5000</b> | <b>ACCESSORIES</b>                |             |      |                                                                                                                                                                                                                                                                                                                                                                                                 |   |   |   |   |   |   |   |   |    |    |    |    |    |                                                              |    |    |    |       |
| 5002        | WALL FIXING BRACKET D:470-505-560 | 912006      |      |                                                                                                                                                                                                                                                                                                                                                                                                 |   |   |   |   |   |   |   |   |    |    |    |    |    |                                                              |    |    |    |       |

## LIST OF THE ABBREVIATIONS

|             |                                                |
|-------------|------------------------------------------------|
| HW .....    | : Hot water.                                   |
| CW .....    | : Cold water.                                  |
| C .....     | : Ceramic resistance (normal heating).         |
| Ca .....    | : Ceramic resistance (accelerated heating)     |
| TP .....    | : Immersion heater.                            |
| 1F .....    | : With fittings.                               |
| 2F .....    | : Without fittings.                            |
| 3F .....    | : With fittings and another outlet connection. |
| AMI .....   | : With mixing valve.                           |
| SMI .....   | : Without mixing valve.                        |
| PUISS ..... | : Power of th appliance.                       |
| PN .....    | : Appliance with normal pression.              |
| LP .....    | : Appliance with low pression.                 |
| PV .....    | : Appliance with variable power.               |
| PF .....    | : Appliance with fixed power.                  |

## IDENTIFICATION PLATE

### SERIAL NUMBER

**9 Characters :** 07 91 00301 (from 01/77 to 12/92)

Month of manufacture 07 | Year of manufacture 91 | Sequential number 00301

**10 Characters :** 95 01 065004 (from 01/93 to 06/95)

Year of manufacture 95 | Sequential number 01 | Month of manufacture 065004

**OU**

**10 Characters :** 01 95 065004 (from 07/95)

Month of manufacture 01 | Sequential number 95 | Year of manufacture 065004

**12 Characters :** 924 2 3 134 0115

Product reference 924 | Sequential number 2 | Year of manufacture 3 | Manufacturing day 134 0115

**15 ou 16 Characters :** (0)03 070 0001 893077 (from 01/97 to 01/05)

Year of manufacture (0)03 | Product reference 070 | Sequential number 0001 | Day of manufacture 893077

**OU**

**16 Characters :** 05 070 0001 0000000 (from 02/05)

Year of manufacture 05 | Product reference 070 | Sequential number 0001 | Day of manufacture 0000000

**17 Characters :** 07 070 00315 3070107

Year of manufacture 07 | Product reference 070 | Sequential number 00315 | Manufacturing day (70) 3070107

**21 Characters :** 3000115 XX 08115 0000001

Product reference 3000115 | Sequential number XX | Year (08) / Manufacturing day (115) 08115 0000001

**22 Characters :** 3000115 XX 070416 0000001

Product reference 3000115 | Sequential number XX | Year (07) / Month (04) / Manufacturing day (16) 070416 0000001